

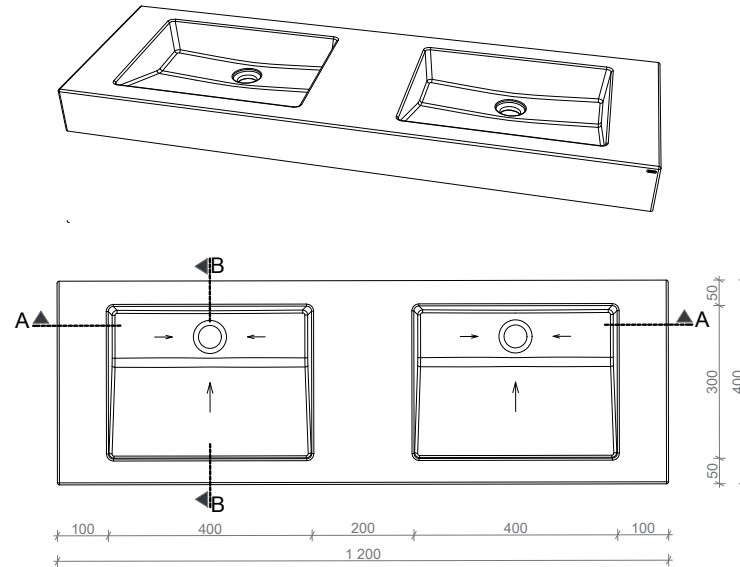


SLANT 07 DOUBLE

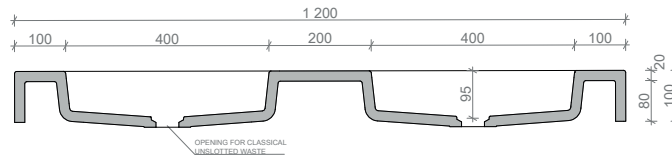
Gravelli

Technical drawing

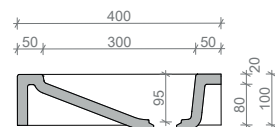
WITHOUT TAP HOLE



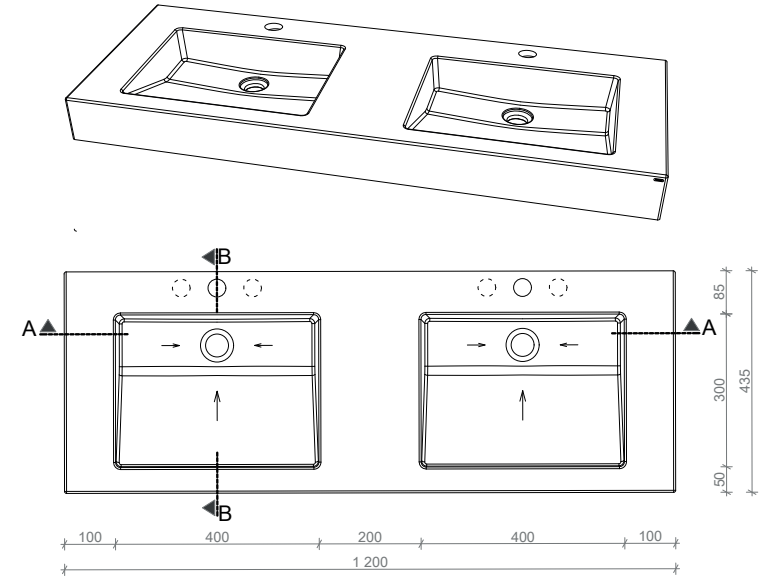
A - A



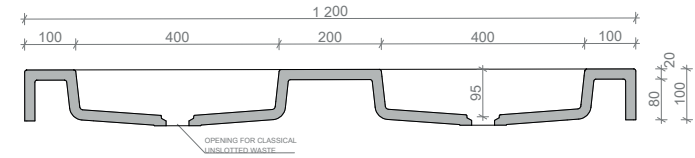
B - B



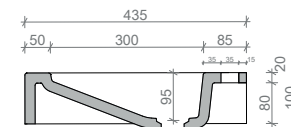
WITH TAP HOLE



A - A



B - B - VČETNĚ OTVORŮ PRO BATERIE / WITH FAUCET MOUNTING HOLES



All product sizes are in millimeters and have an informative character. The producer reserves the right to amend the technical specification at any time without previous warning. This sink does not have an overflow hole.

Valid from: 01.03.2019

WWW.GRAVELLI.COM