

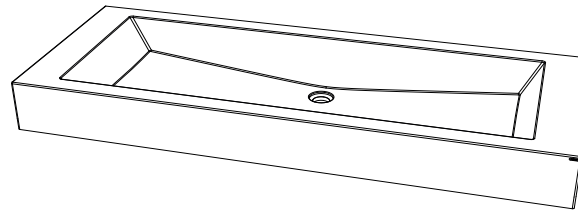


SLANT 05 DOUBLE

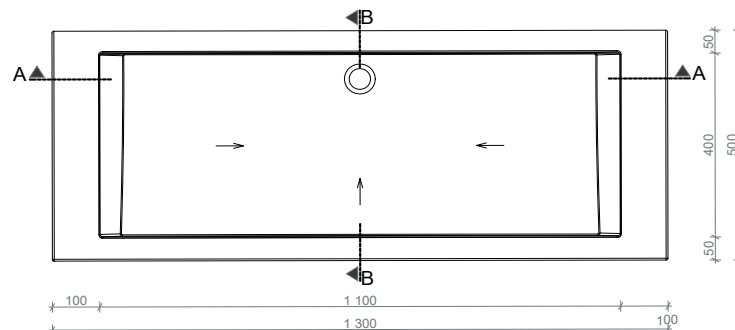
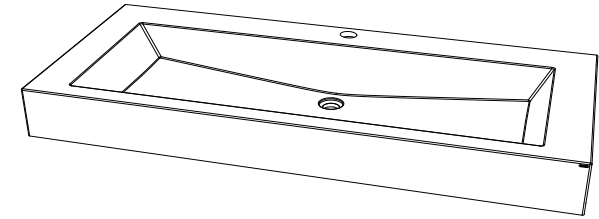
Gravelli

Technical drawing

WITHOUT TAP HOLE



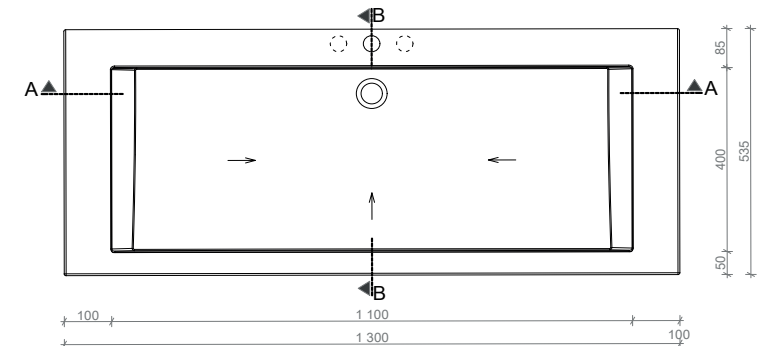
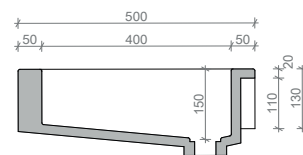
WITH TAP HOLE



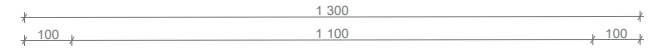
A - A



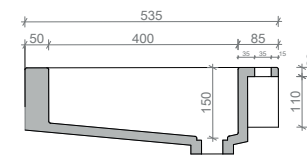
B - B



A - A



B - B - WITH FAUCET MOUNTING HOLES



All product sizes are in millimeters and have an informative character. The producer reserves the right to amend the technical specification at any time without previous warning. This sink does not have an overflow hole.

Valid from: 01.03.2019

WWW.GRAVELLI.COM