

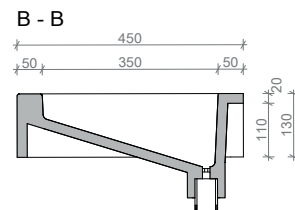
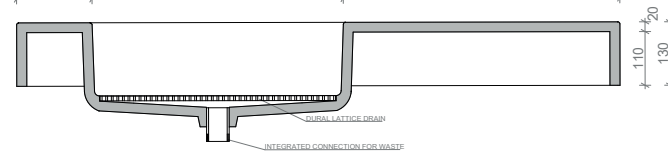
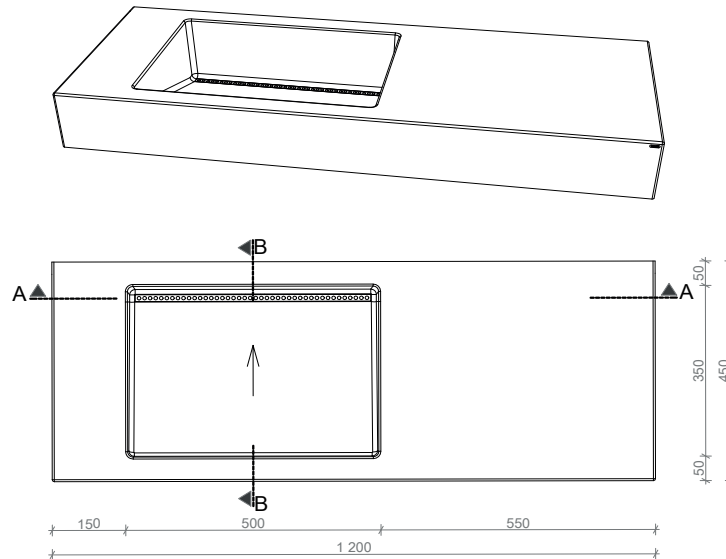


Gravelli

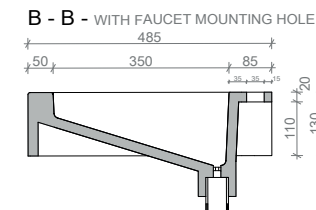
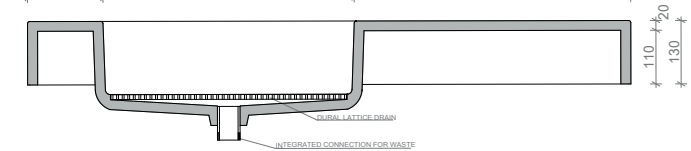
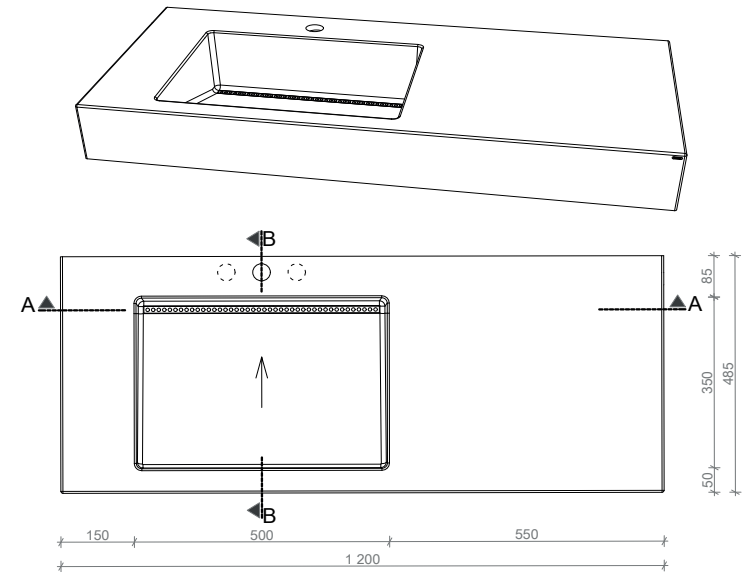
Technical drawing

SLANT 01 SINGLE

WITHOUT TAP HOLE



WITH TAP HOLE



All product sizes are in millimeters and have an informative character. The producer reserves the right to amend the technical specification at any time without previous warning. This sink does not have an overflow hole.

Valid from: 01.03.2019

WWW.GRAVELLI.COM